

TABLE TENNIS TABLE

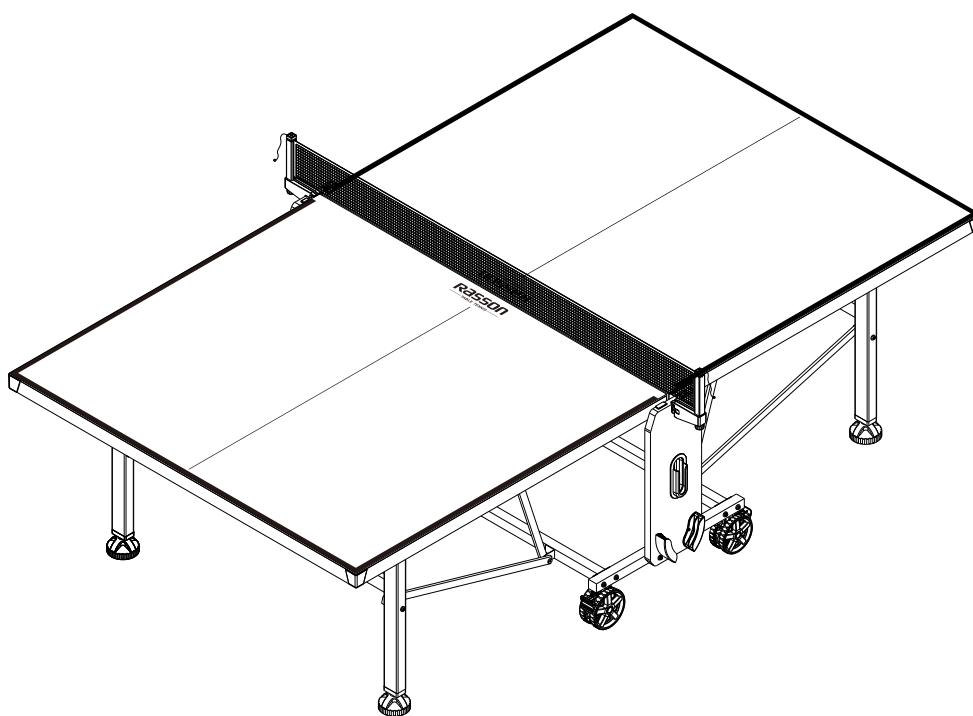


TABLE TENNIS TABLE ASSEMBLY INSTRUCTIONS

TABLE TENNIS TABLE HARDWARE




















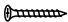


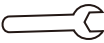
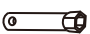


PACKAGE	ITEM#	SAMPLE	DESCRIPTION	QTY.
	H1		HEX HEAD CROSS BOLT 1/4" X 1-3/4"(M6X45mm)	8
	H2		SKID NUT 1/4" I.D.	8
	H3		HEX HEAD BOLT 1/2" X 6"(M12X150mm)	4
	H4		SKID NUT 1/2" I.D.	4
	H5		HEX HEAD CROSS BOLT 1/4" X 2-3/4"(M6X70mm)	4
	H6		FLAT WASHER 1/4" I.D.	4
	H7		SKID NUT 1/4" I.D.	4
	H8		HEX HEAD CROSS BOLT 1/4" X 1-3/4"(M6X45mm)	4
	H9		FLAT WASHER 1/4" I.D.	4
	H10		NYLON WASHER 1/4" I.D.	8
	H11		SKID NUT 1/4" I.D.	4
	H12		HEX HEAD CROSS BOLT 1/4" X 3-1/8"(M6X80mm)	4
	H13		NYLON BUSHINGS 1/4" I.D.	8
	H14		SKID NUT 1/4" I.D.	4
	H15		HEX HEAD CROSS BOLT 1/4" X 1-3/16"(M6X30mm)	4
	H16		HEX HEAD CROSS BOLT 1/4" X 3-1/2"(M6X90mm)	4
	H17		FLAT WASHER 1/4" I.D.	8
	H18		NYLON WASHER 1/4" I.D.	8

TABLE TENNIS TABLE HARDWARE

PACKAGE	ITEM#	SAMPLE	DESCRIPTION	QTY.
	H19		SKID NUT 1/4" I.D.	8
	H20		FLAT HEADED SCREW 1/8" X 5/8"(M3X15mm)	8
	H21		BEARING 1/2" I.D.	8
TOOLS	T1		1/4"(M6)	1
	T2		1/4"(M6)	1
	T3		1/2"(M12)	1
	T4		1/2"(M12)	1
	T5		1/8"(M3)	1

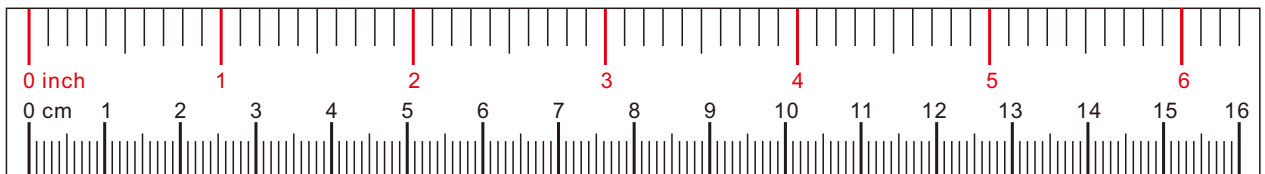


TABLE TENNIS TABLE COMPONENT PARTS


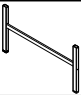
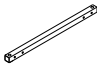
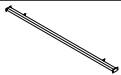


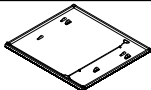

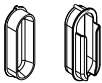












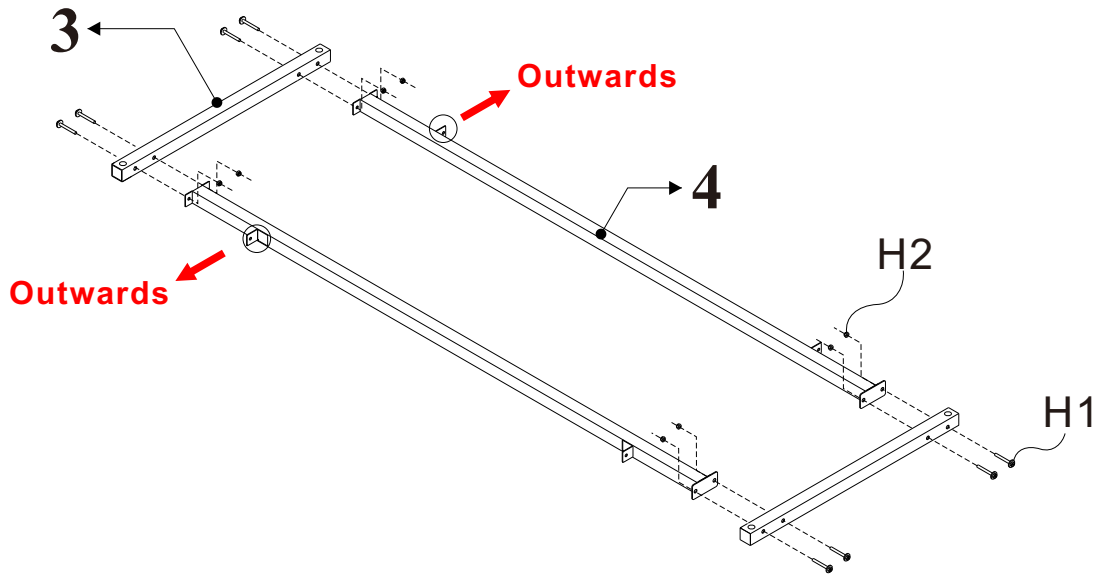
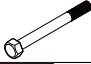


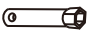

PACKAGE	ITEM#	SAMPLE	DESCRIPTION	QTY.
	1		WHEEL	4
	2		END LEG	2
	3		BASE FRAME	2
	4		BASE BEAM	2
	5		LONG STRUT	4
	6		SHORT STRUT	4
	7		TABLE TOP	2
	8		UNDERCARRIAGE	2
	9		BALLS CLAMP	2
	10		BATS CLAMP	4
	11		CLIP & NET	1
	12		LEG PAD	4
	13		PLASTIC PLUG	4
TOOLS	T1		1/4"(M6)	1
	T2		1/4"(M6)	1
	T3		1/8"(M3)	1

FIG.1

	1/4"x1-3/4"	8 PCS		1/4" ID.	8 PCS
T1 	T2/T5				

**FIG.2**

	1/2"x6"	4 PCS		1/2" ID.	8 PCS		1/2" ID.	4 PCS
T3 	T4							

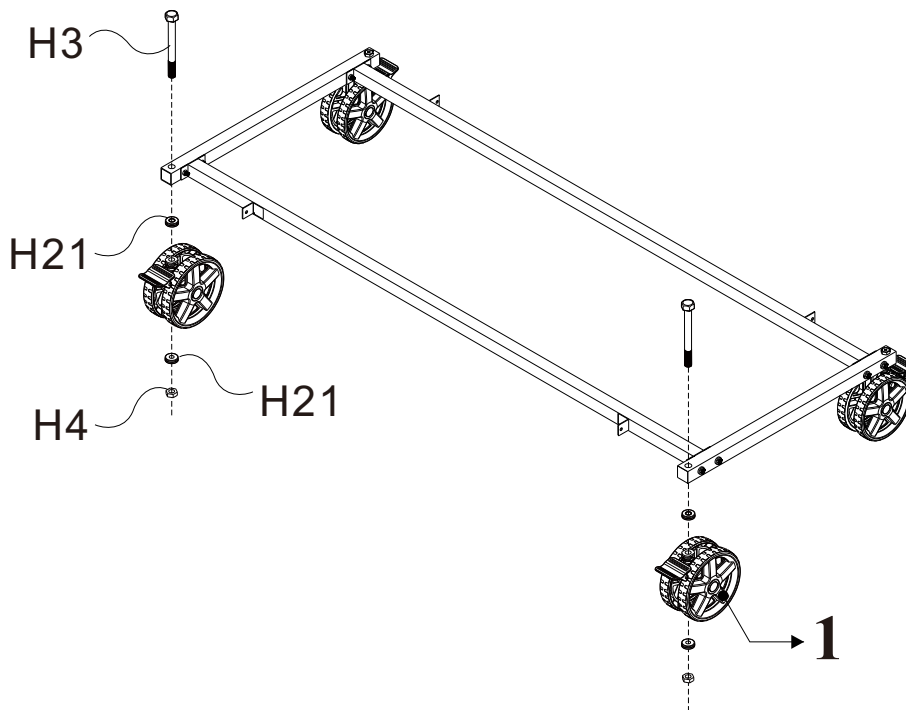


FIG3

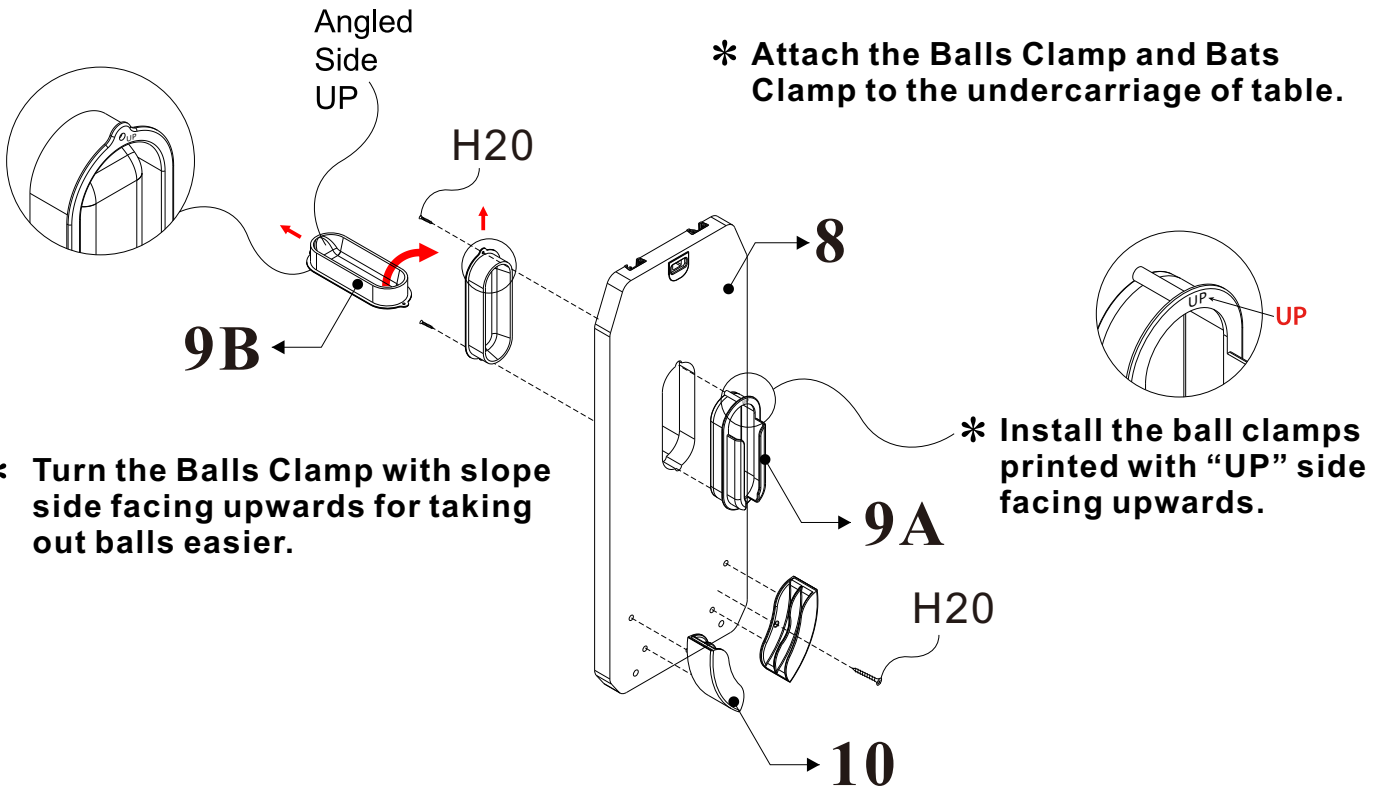
1/8"x5/8"

8 PCS

T5

**X 2**

* Attach the Balls Clamp and Bats Clamp to the undercarriage of table.

**FIG.4**

1/4"x2-3/4"

4 PCS



1/4" ID.

4 PCS



1/4" ID.

4 PCS

T1



T2/T5

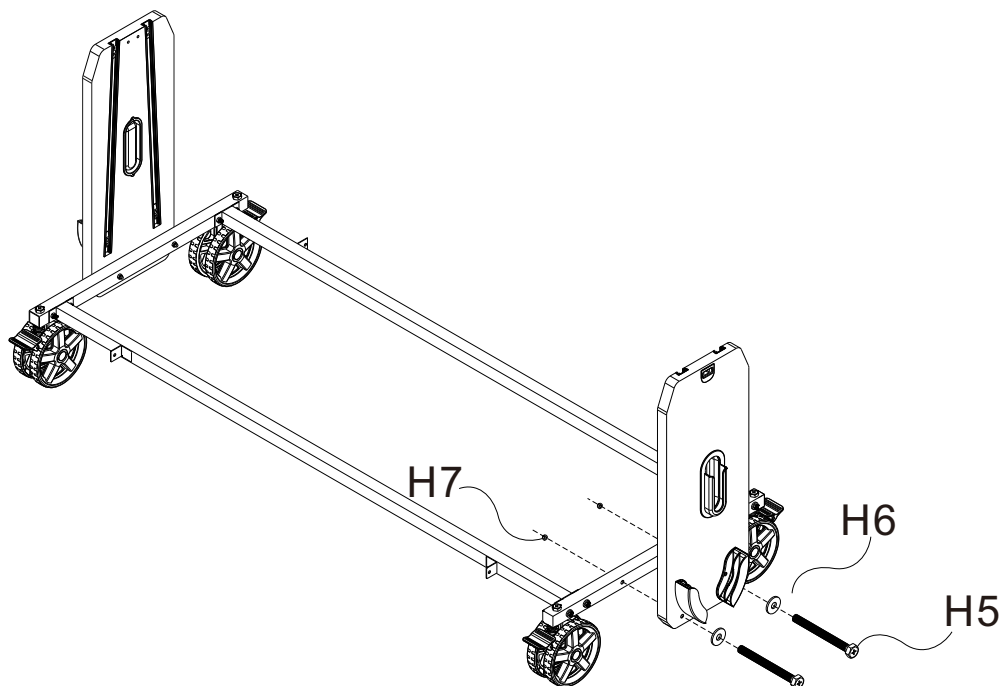
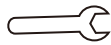









FIG.5

	1/4"x1-3/4"	4 PCS		1/4" ID.	4 PCS		1/4" ID.	8 PCS
T1		T2/T5					1/4" ID.	4 PCS

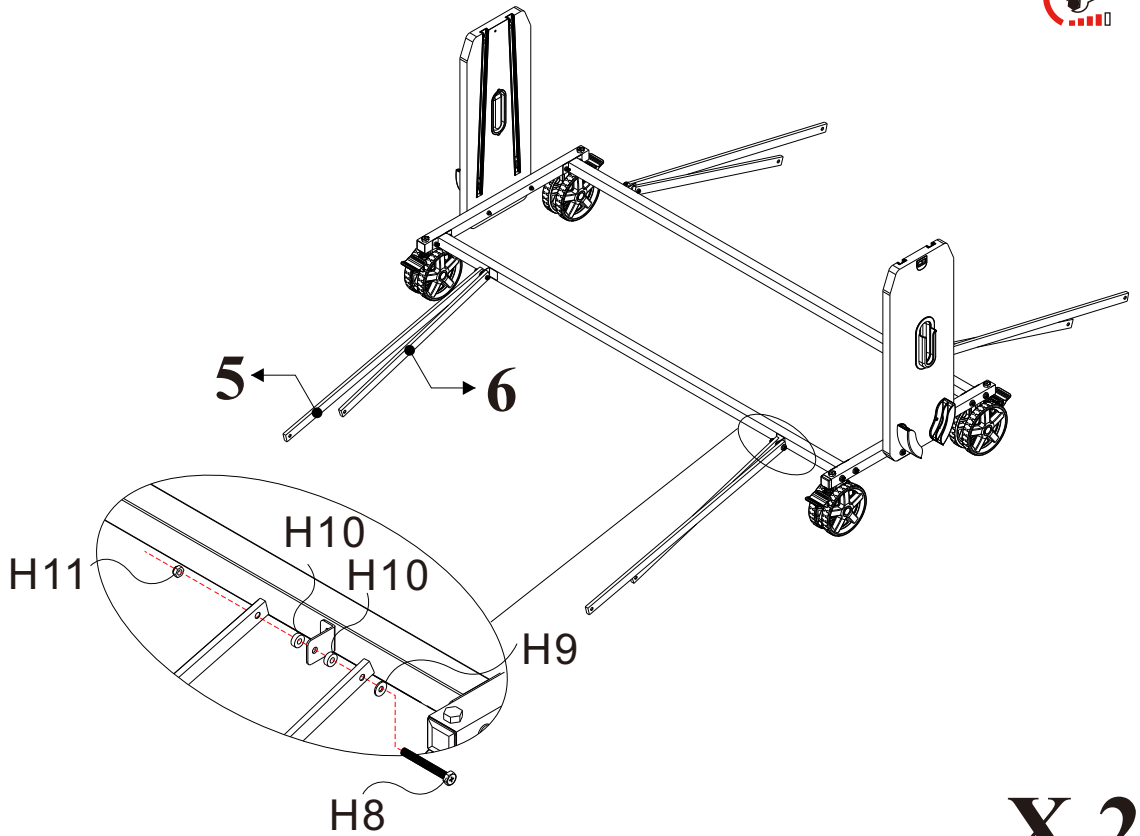
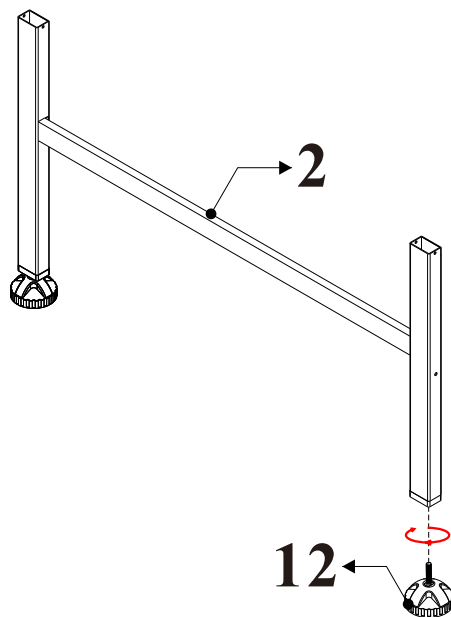



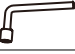

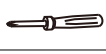
**FIG.6****X 2**

FIG.7

	1/4"x3-1/8"	4 PCS		1/4" ID.	8 PCS		1/4" ID.	4 PCS
T1		T2/T5						

X 2

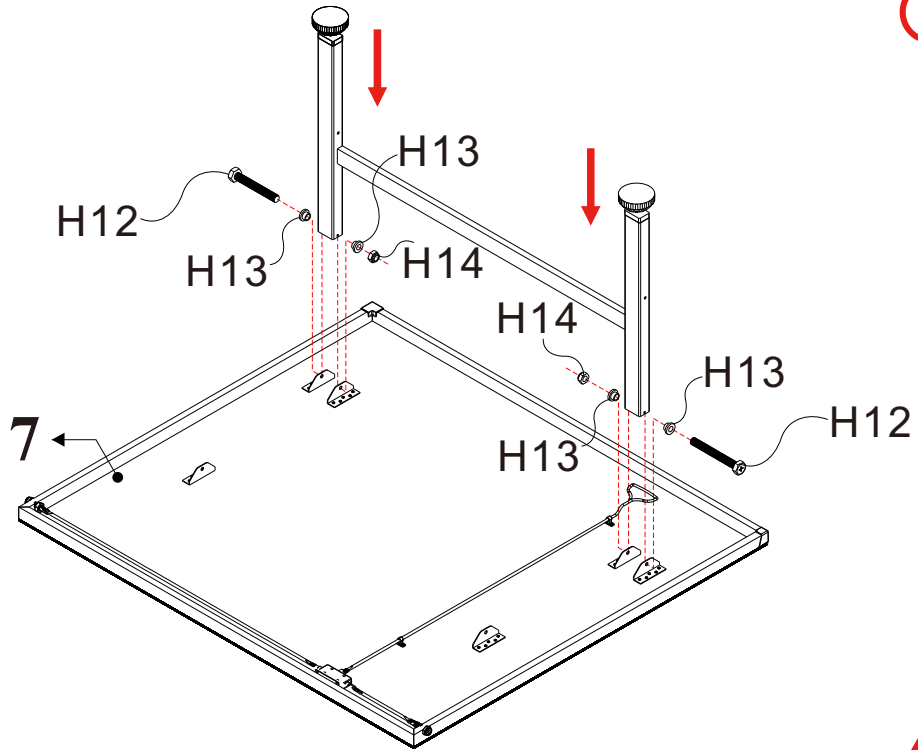


FIG.8



**3 people
3 personas
3 personnes**

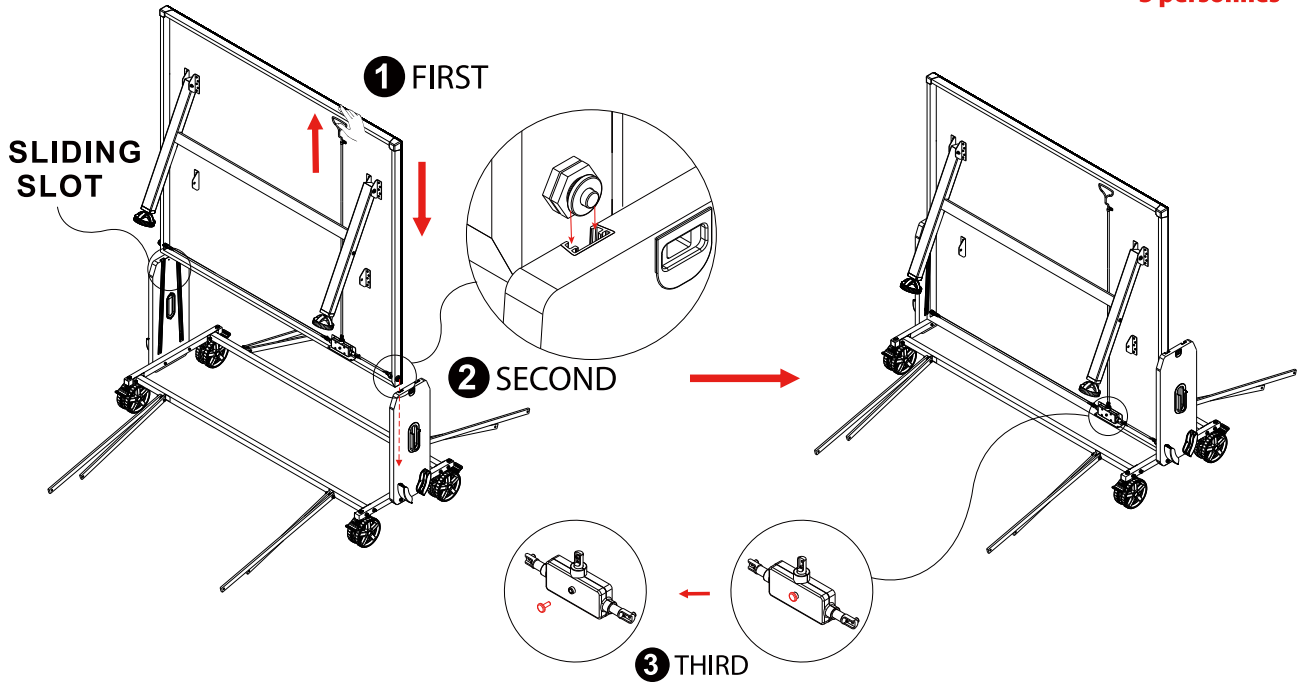










FIG.9

	1/4"x1-3/16"	4 PCS		1/4" ID.	4 PCS		1/4" ID.	4 PCS
							1/4" ID.	4 PCS
	1/4"x3-1/2"	4 PCS		1/4" ID.	4 PCS		1/4" ID.	4 PCS
							1/4" ID.	4 PCS

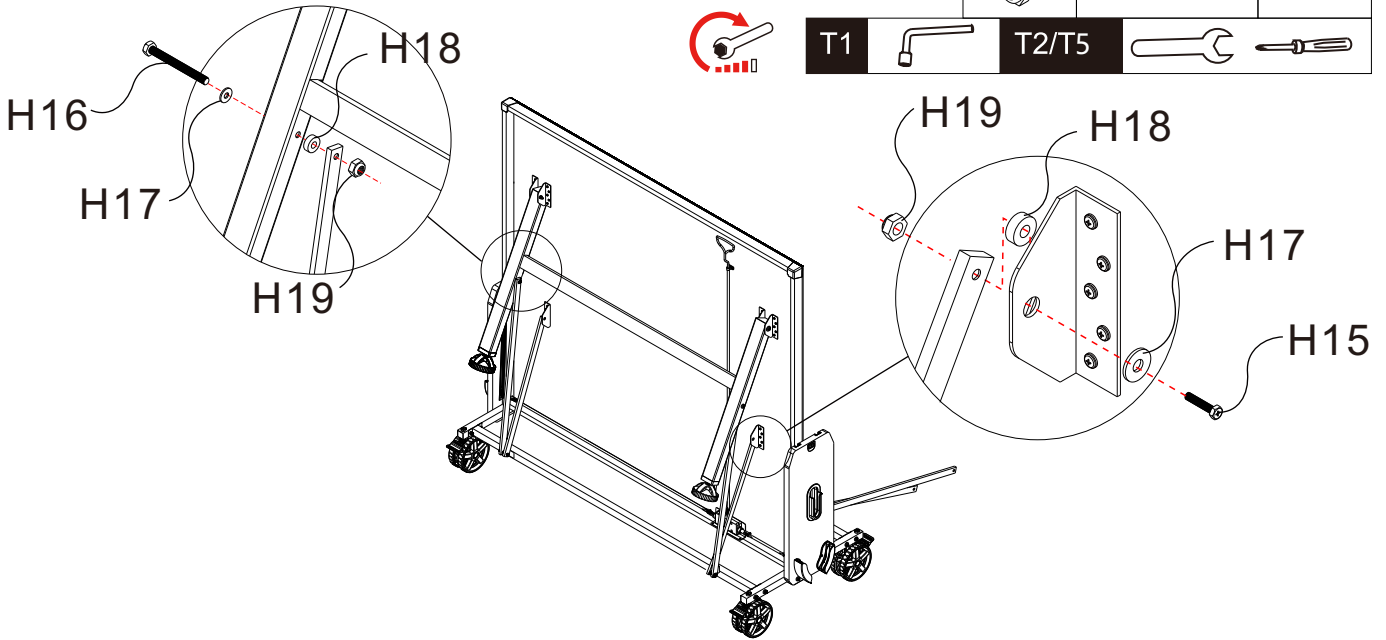
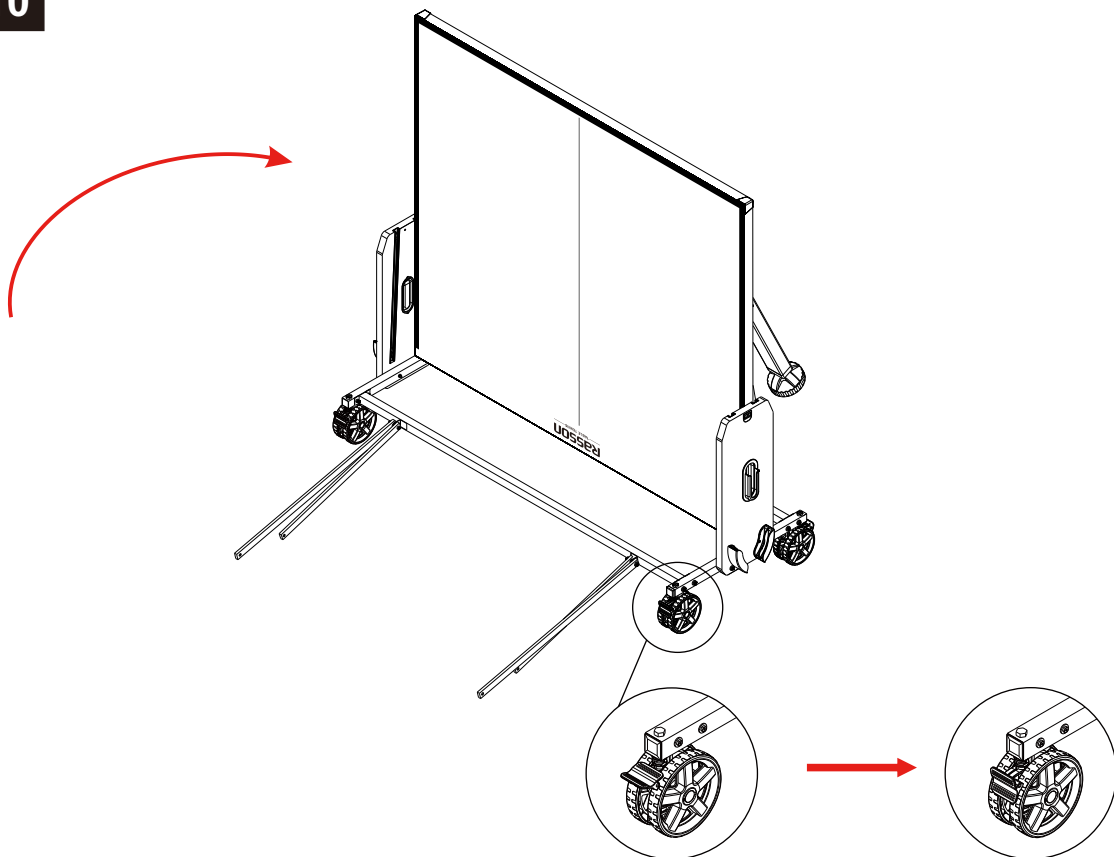
**FIG.10**

FIG.11



3 people
3 personas
3 personnes

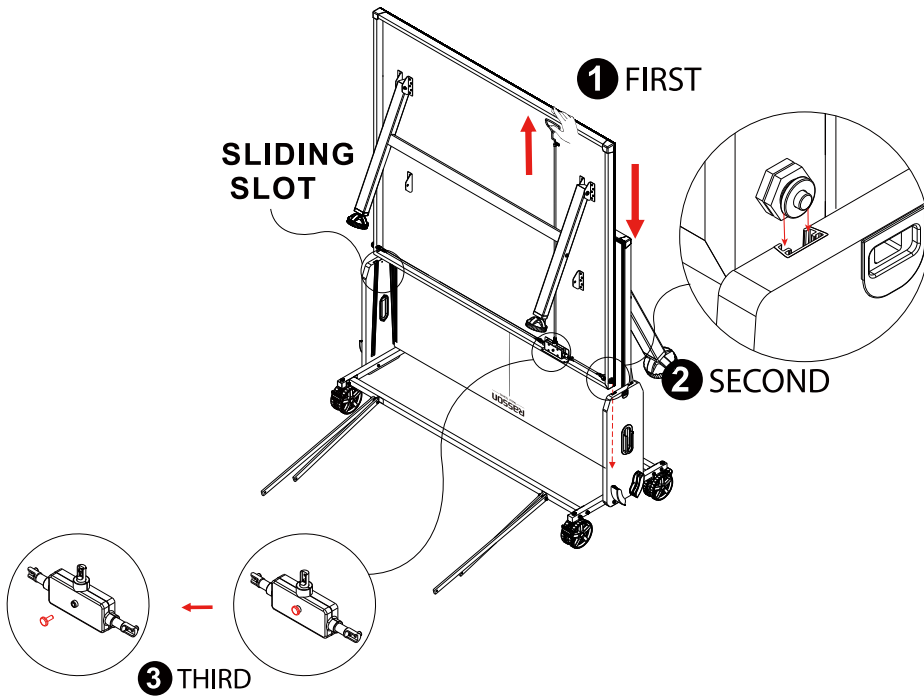


FIG.12

	1/4"x1-3/16"	4 PCS		1/4" ID.	4 PCS		1/4" ID.	4 PCS
							1/4" ID.	4 PCS
	1/4"x3-1/2"	4 PCS		1/4" ID.	4 PCS		1/4" ID.	4 PCS
							1/4" ID.	4 PCS

T1

T2/T5

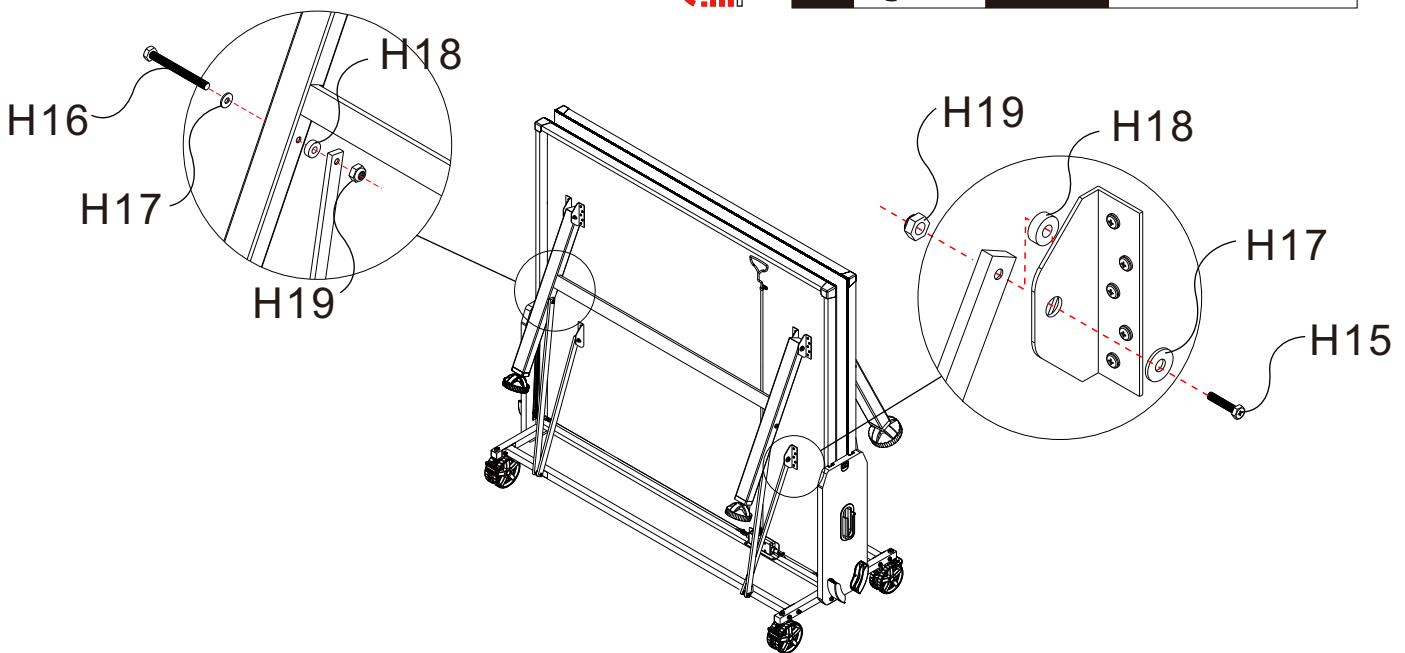


FIG.13

Note:

1. Step on the undercarriage (the horizontal bar attached to the wheels). Grip the tabletop with your left hand.
2. Pull up on the handle with your right hand to release the lock.
3. Unfold the table into the play position. Make sure to lower each table half slowly. Do not drop to avoid damage.

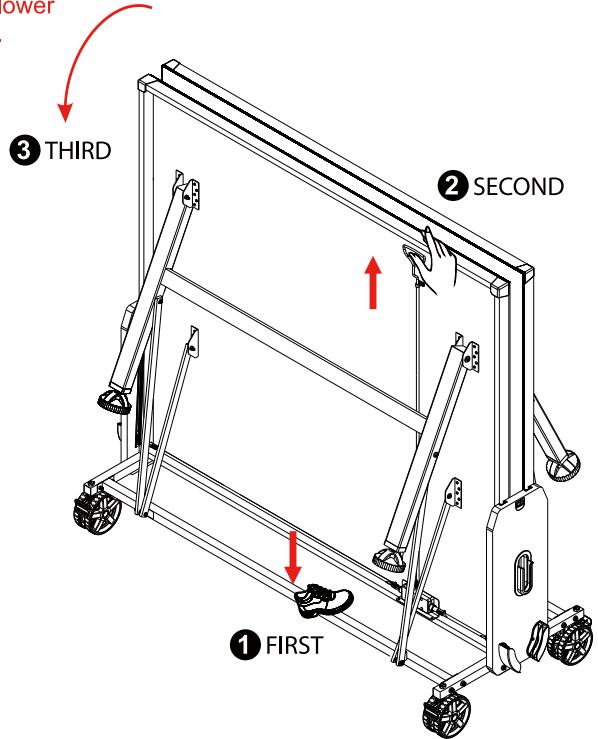
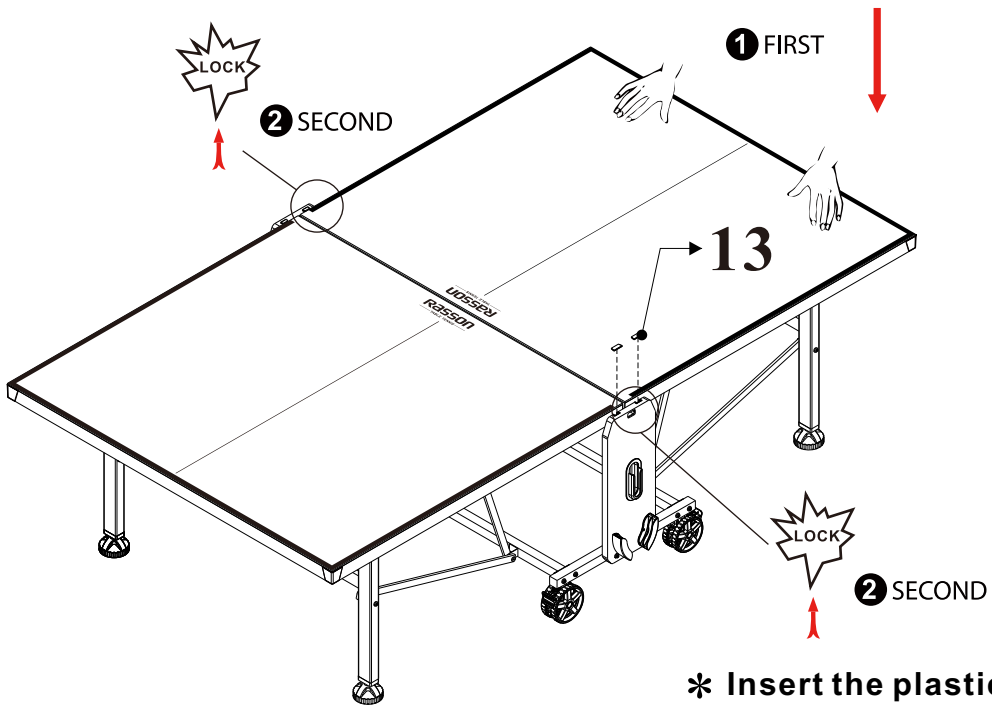


FIG.14



*** Insert the plastic plug of the slide rail.**

FIG.15

- Note:**
1. Insert the net set on the left side into the hole of the undercarriage. Fold the net set 90 degrees to loosen the net rope.
 2. Insert the net set on the right side into the hole of the undercarriage
 3. Unfold the net set on the left side back to the original position.

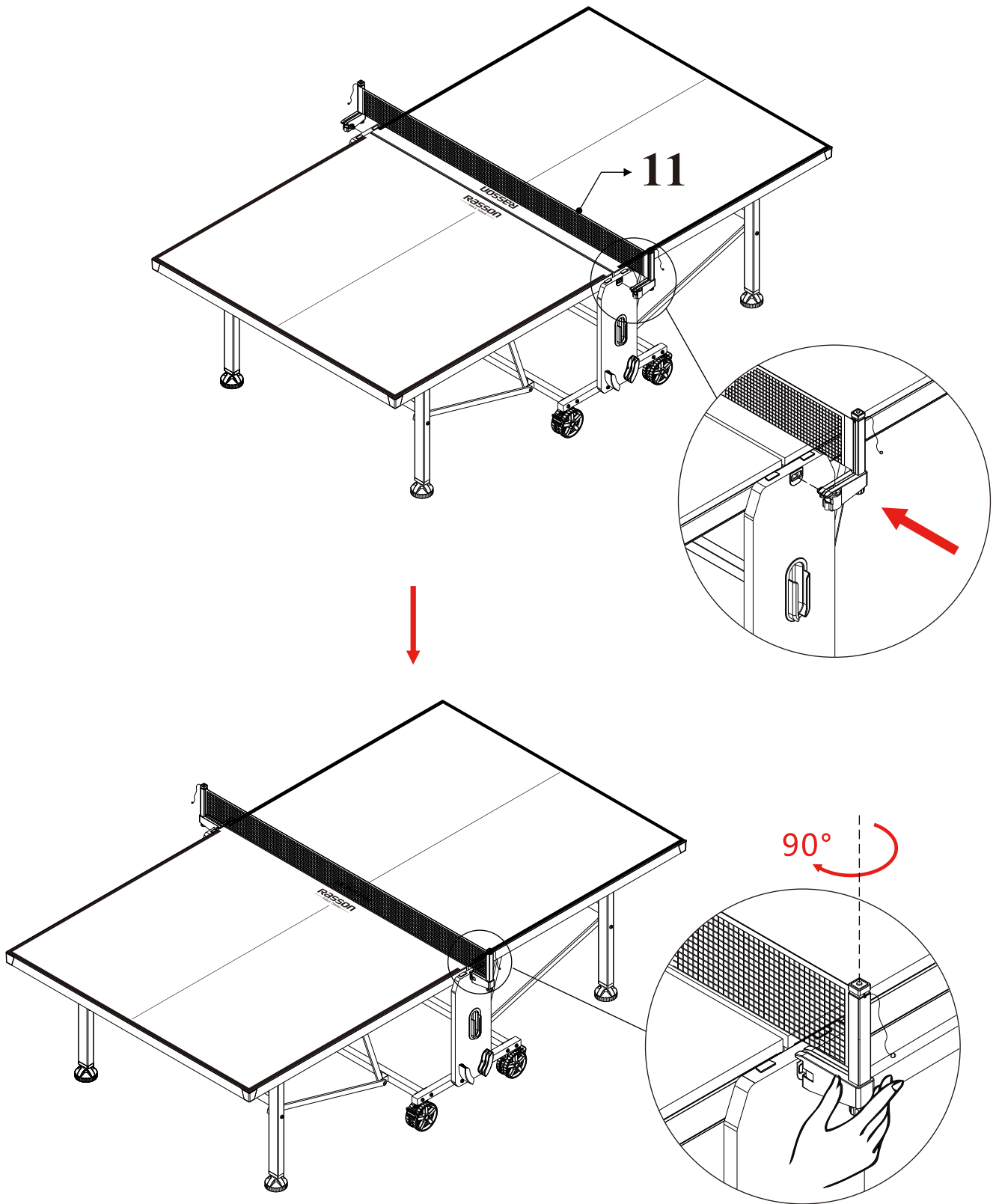


FIG.16

Note: Push and hold the button on the net post, use the other hand to pull the net string, and tighten the net. Release the button on the net post to lock in place.

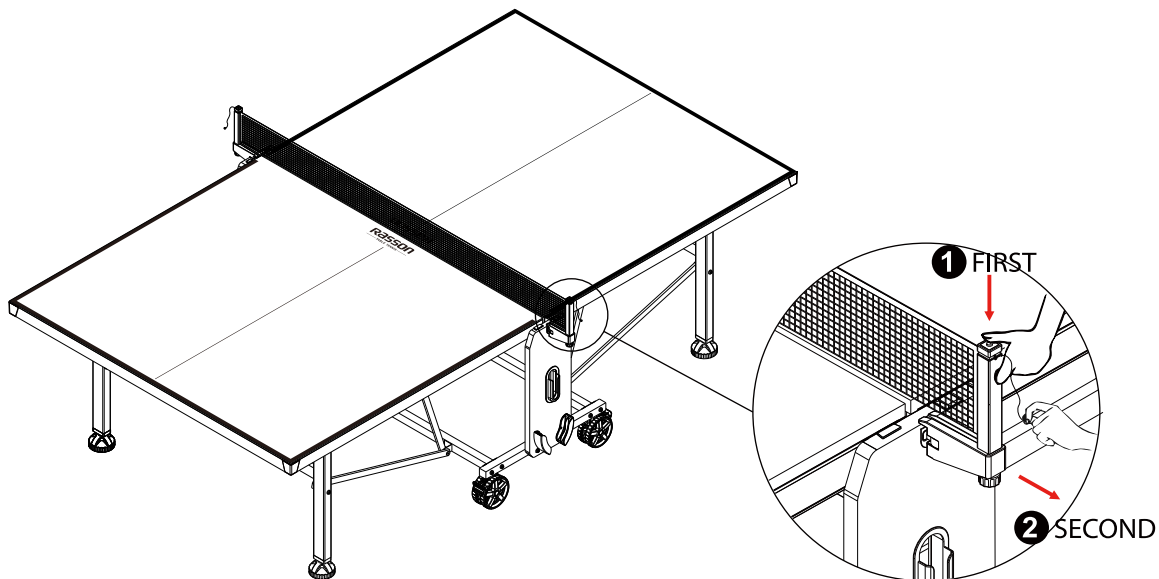


FIG.17

Note: Adjust the height of the net by rotating the wheel at the bottom of the net set.

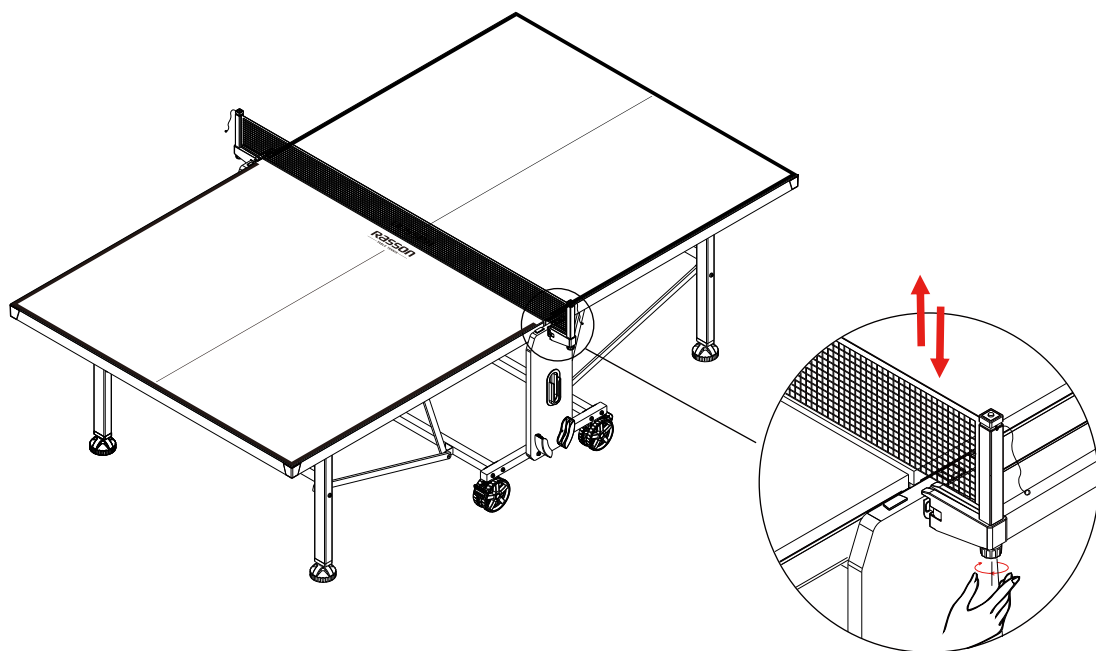
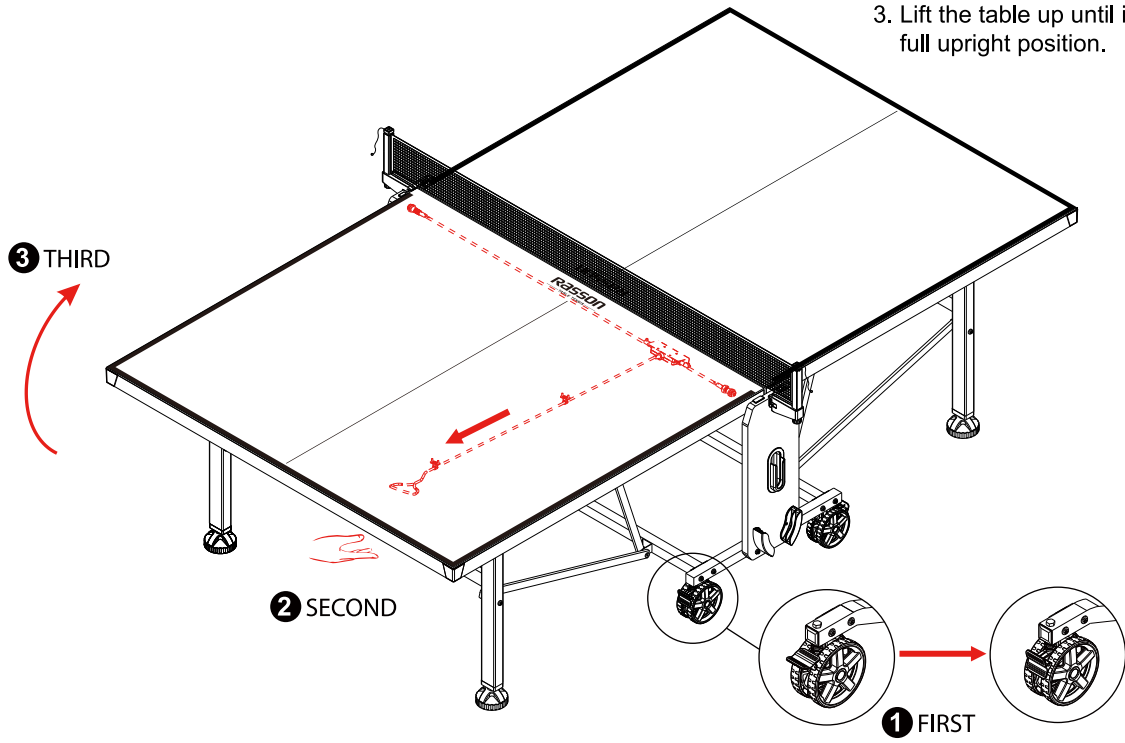


FIG.18

Note:

1. Lock the casters (wheels).
2. Pull and hold the red handle underneath the table to release the lock.
3. Lift the table up until it is in the full upright position.



FINISH

